

SONY PCM 7050 TLS-4000 MKII

INTERFACE DOCUMENTATION

Interface number : 1.812.445.20

IF - Doc number : 10.27.3030

Prepared and edited by:
STUDER INTERNATIONAL
(a division of STUDER REVOX AG)
TECHNICAL DOCUMENTATION
Althardstrasse 10
CH-8105 Regensdorf-Zürich

We reserve the right to make alterations.

Copyright by STUDER REVOX AG
printed in Switzerland
Order No: 10.27.3030 (Ed. 0292)

STUDER is a registered trade mark of STUDER REVOX AG Regensdorf

Summary

1	General Information.....	1
1.1	Ordering Information.....	1
1.2	Slave Model.....	1
1.3	Software.....	1
2	Installing Procedures	2
2.1	TLS 4000 Requirements	2
2.2	Slave Requirements.....	2
2.3	Connection Slave-Synchronizer.....	2
2.4	Quick Test, Adjustments	3
3	Operating Instructions	4
3.1	Technical Specifications.....	4
3.2	Summary of Supported Functions	5
3.3	DIL-SWITCH Functions	6
3.4	Additional Features at the Slave Control B Connector	6
3.5	LED Diagnostic Display	7
3.6	Applications Hints	8
4	Service Documentation	9
4.1	Jumper Settings.....	9
4.2	Signal Description, Slave Connectors.....	10
4.3	IF Cable Description	12

1 General Information

1.1 Ordering Information

Order number

- | | |
|---|---------------|
| ■ Interface Set
(including Interface, Cable and Documentation) | 21.812.445.20 |
| ■ Interface Board (Hardware/Software) | 1.812.445.20 |
| ■ Hardware TLS serial Interface | 1.812.490.20 |
| ■ Software Set | 1.812.922.20 |
| ■ IF-Cable 5m | 1.023.779.00 |
| ■ Interface Docu-number | 10.27.3030 |
| ■ Hardware (serial IF) Docu-number | 10.27.3050 |

1.2 Slave Model

- SONY PCM 7050
- Device with compatible connection: SONY PCM 7030

1.3 Software

- First release (index 20) 1.812.922.20 (02/92)

2 Installing Procedures

2.1 TLS 4000 Requirements

Order number

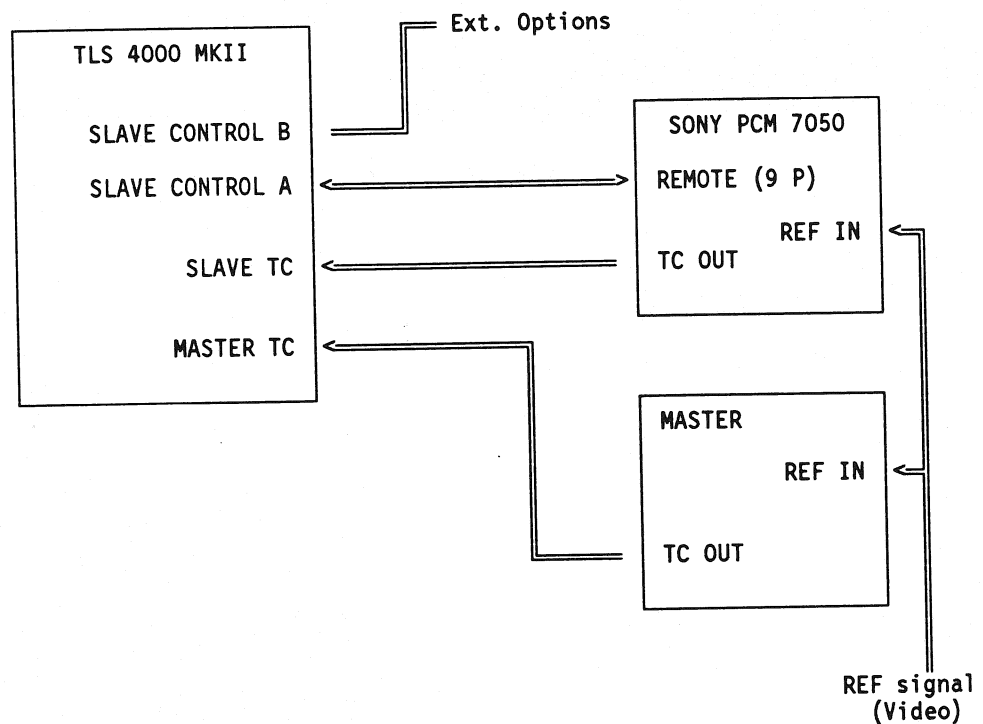
- Synchronizer Board 1.812.320.23 or later
- Interface: correct setup of the DIL-SWITCHES (see section 3.3)

2.2 Slave Requirements

- The SONY PCM 7050 or 7030 must be equipped with the time code reader and generator unit DABK 7030.
- Common video reference for master and slaves.
(switch SYNC at frontpanel: VIDEO)
- Menu Settings:

SYNC REC	ON
SYNC PB	ENABLE
REF TCF, TC DLY	according to application

2.3 Connection Slave-Synchronizer



2.4 Quick Test, Adjustments

Insert the Interface after switching off the synchronizer. Connect the slave machine and switch on synchronizer and slave.

During the first 5 seconds the interface will perform a short selftest. The result is commented with some led messages. If no errors have been found, the display is available for operation messages (see section 3.5)

A good timecode on tape is essential for synchronizer operation and should be checked for master and slave.

No adjustments are necessary.

3 Operating Instructions

3.1 Technical Specifications

- Slave type:
 - R DAT
 - SMPTE/EBU timecode (available during wind modes) without move information
 - GOTO with PLAY-STOP sequence
 - Chase-Stop with waiting in advance
 - transition Chase to Playsync direct

- Tapedeck Control:
 - by serial communication RS 422
 - SONY protocol

- Capstan control:
 - is not available if the device is controlled by the REMOTE (9P)

- Movepulse information:
 - no movepulse information available.

Compensation of Record Dropin/out Delays: compensated by synchronizer (includes both transmission delays and compensation of distance between erase and record head.

- Park accuracy:
 - < 40ms

- Wow & Flutter:
 - within slave specifications

- Lock time typical:

(in CUED status,	Master Start - SYNC)	:	4 sec
(in CHASE 10* vnom,	Master Start - SYNC)	:	15 sec

3.2 Summary of Supported Functions

Tape Deck Commands:

- STOP stop (standby off)
- PLAY with available varispeed range ($\pm 12\%$)
- REC with recording types (EDIT INSERT/ASSEMBLE)
- EDIT the same as STOP
- FORW,REW with parameter control
full speed (150 play), x16, x8, x3, x1, x1/2 and x1/5
play available
- SHTLF,SHTLR the same as FORW/REW
- LOC,LOCREL performed by interface
- REHEARSE: available.
- MUTE: not implemented
- EVENT Relays: is available (see section 3.4)
- CONDITIONAL COMMANDS:
A specific subset of single byte commands can be executed at certain time-
code conditions. (PLAY, STOP, RECORD, RELAY ON, RELAY OFF)
- STATUS Request:
Status information is updated periodically by means of serial communication.
- AUDIO Channel Control:
"READY/SAVE" of both channels (only together) can be controlled. Local
changes of any status can be recognized and transferred to the
synchronizer.

CHANNEL 1 = Audio Track 1 .. 2
CHANNEL 7 = Timecode Track

Only one channel can be set "READY" at the same time.
A further "READY" command won't be accepted.
- TRANSPARENT Commands:
Command and data request strings can be sent through the synchronizer to
the slave.
Parts of the protocol (header and checksum) are added by the interface.
- KEYBOARD DISABLE:
not implemented.

3.3 DIL-SWITCH Functions

DIL-Switch SZ81 allows the setting of the following modes.

- Switch 1: RECORD ENABLE
Defines the polarity of RECEN (see section 3.4)
OFF : RECORD enabled when
- low level at RECEN pin
ON : RECORD enabled when
- high level at RECEN pin or input open

All other switches are not used and should be in OFF position.

Default Settings: all switches in OFF position

3.4 Additional Features at Slave Control B Connector

- | | |
|-------|--|
| RECEN | (PIN 2):
This signal is used to enable/disable the RECORD function with an external hardware. According to DIL-Switch position 1 and the level of the signal RECEN, RECORD commands are passed to the slave or modified to PLAY. |
| REL1 | (PIN6), REL2 (PIN7):
A general purpose relay is controlled by EVON/EVOFF commands. The switch REL1/REL2 is closed with the command EVON. |
| MUTE | (PIN8):
This signal can be used to control an external mute circuit or a mixing console. They can mute the audio signal during chase and locate phases.
If the synchronizer generates a mute signal the MUTE output will be active low, otherwise it will be high or open. |

3.5 LED Diagnostic Display

Three LEDs are situated at the front of the interface board. They provide information about the result of the initial selftest and the online status.

DL 1 2 3 (front view)
 (# = LED blinking, - = LED off, * = LED on)

An initialization procedure is executed after reset and the main hardware devices are tested. Any resulting error is signalled with a blinking left LED (DL1, about 1 Hz).

If all LEDs are blinking, the internal EEPROM of the processor has to be reconfigured. This should only happen if the processor was replaced and the interface switched on for the first time.

If this happens, you have to switch JS1 to position AB and reset the interface (power off - power on). After the initialisation the three LEDs should blink again. Put JS1 back to position BC and reset the interface again.

Now the 68HC11 should be reconfigured and the LED message should not be the same.

DL1	DL2	DL3	
#	-	-	CPU RAM test failed.
#	-	*	RAM test failed.
#	*	-	SSDA test failed.
#	#	#	Microprocessor 68HC11 has to be reconfigured

If no error was found, DL1 stays dark and the other two LEDs light, if communication with the slave or the synchronizer fails.

DL1	DL2	DL3	
-	*	*	no connection with the synchronizer board
-	*	-	no connection with the SLAVE
-	-	*	slave error (ex: tape out)

If the left LED is on, a fatal processor error has occurred. A reset is necessary to return to operation mode. The interface board should be checked whenever such an error was encountered. In this case the interface should be resetted and this error message should not occur anymore.

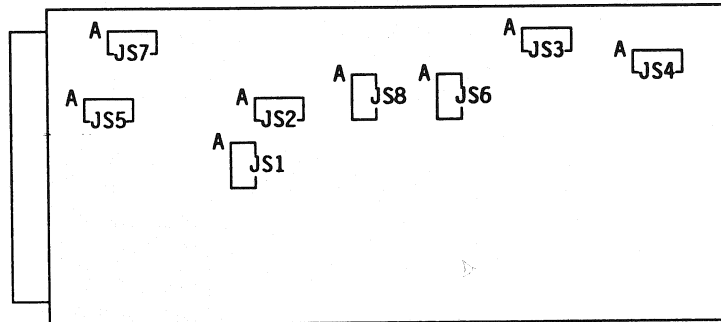
DL1	DL2	DL3	
*	-	-	Fatal SW or HW error (eg ROM defect)
*	-	*	Watch dog error
*	*	-	Clock error
*	*	*	Illegal opcode

3.6 Application Hints

- Remote switching of the synchronizer from the slave machine is not available.

4 Service Documentation

4.1 Jumper Settings



Functions of jumpers:

	Position AB	Position BC
JS1	Processor in special test mode	Processor in normal expanded mode *
JS2	PE6 input of the processor is LOW	PE6 input of the processor is HIGH *
JS3	Serial output TX/TA connected to MAX232 (RS 232)	Serial output TX/TA connected to 75176 (RS 422) *
JS4	Serial input of 68A50 is connected to MAX232 (RS 232)	Serial input of 68A50 is connected to 75176 (RS 422) *
JS5	IF ground is connected to the slave ground *	No connection between IF ground and slave ground
JS6	Capstan reference output has a pullup resistor *	Capstan reference output has \neq pullup resistor no
JS7	Opto isolated inputs are supplied from the IF *	Opto isolated inputs are supplied from the slave
JS8	Capstan pullup resistor is supplied with 5V (or MVCC if JS7 'AB')*	Capstan pullup resistor is supplied with 15V

* Default setting for SONY PCM 7050/30

4.2 Signal Description, Slave Connectors

SLAVE CONTROL A:

Pin	Signal	Type	Slave Sig.	Description
1	MGND		SYSTEM GND	ground of SONY PCM 7050
2	-			
3	-			
4	-			
5	CAPEN	I out		(not used)
6	RX/RA		TXD	Tx A from SONY PCM 7050
7	MOVCL	I in		(not used)
8	TX/TA		RXD	Rx A from SONY PCM 7050
9	PAIN5	I in		(not used)
10	MOVDIR	I in		(not used)
11	+5V			(not used)
12	0.0V		SHIELD	screen
13	CAPCL	I out		(not used)
14	RB		TXD	Tx B from SONY PCM 7050
15	-			
16	-			
17	-			
18	-			
19	PAOUT5	I out		(not used)
20	-			
21	-			
22	-			
23	-			
24	TB		RXD	Rx B from SONY PCM 7050
25	MVCC			(not used)

I out logic output, active low
(open collector max 30V/0.3A)

I in logic input, active low, optoisolated
(I-low) > 10 mA)

SLAVE CONTROL B:

Pin	Signal	Type	Description
1	0.0V		signal ground
2	RECEN/PAIN11	I in	record enable/safe input (see DIL Switch 81.1)
3	XVSREF/PAIN10	I in	(not used)
4	-		(not used)
5	XVSENB/PAIN9	I in	(not used)
6	REL1		event relay contact 100V/0.3A
7	REL2		event relay contact 100V/0.3A
8	PAOUT6	I out	MUTE output
9	-		
10	-		
11	+5V		IF power supply
12	PAIN12	I in	(not used)
13	-		
14	DC		(not used)
15	-		
16	-		
17	-		
18	-		
19	-		
20	0.0V		signal GND
21	MVCL	I out	(not used)
22	SCITX		(not used)
23	SCIRX		(not used)
24	MVDR	I out	(not used)
25	0.0V		signal GND

I out logic output, active low
(open collector max 30V/0.03A)

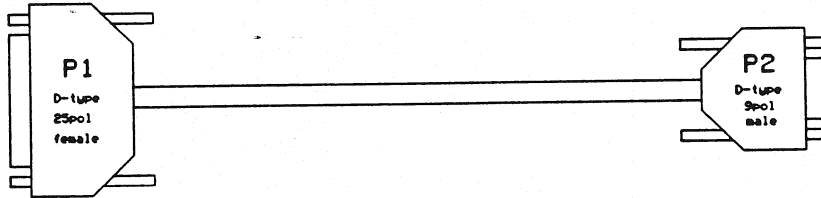
I in logic input, active low, optoisolated
(I-low > 10 mA)

Remark: Schematics → see universal serial IF

4.3 IF Cable Description

TLS 4000 MK2
SLAVE CONTROL A

SONY U0-9800
REMOTE 2



P1. 1	MGND	P2. 1
6	RX/RA	2
8	TX/TA	8
14	RB	7
24	TB	3
25	MUCC	5
	SCREEN	9

⑥ 29-JAN-92 / OM	① TLSIFKAB.P01	②	③	④
STUDER INTERNATIONAL	TLS-4000 M2			PAGE 1 OF 1
	IF-KABEL SONY U0-9800		5M	4H 1.023.779.00